



Course: Engineering Drawing

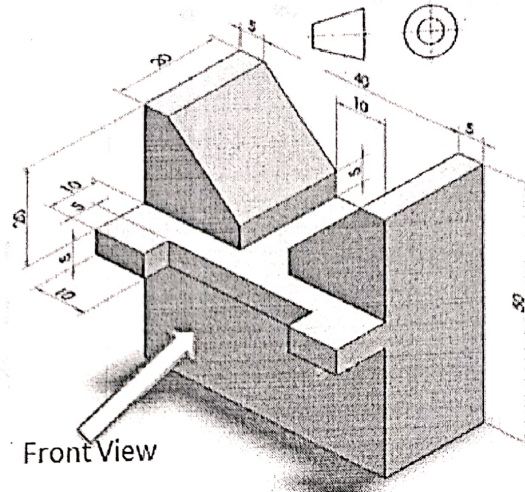
Course Code: GNE 201

Units: 2

Instruction: Attempt Questions 1 and any other three

Time Allowed: 3 hours

Q1 The Isometric block below is to be drawn and projected



- (2a) List 10 softwares used in engineering drawing (5 marks)
- (b) List five differences between 1st and 3rd angle projections (5 marks)
- (3a) Explain the following four different types of 3D models:
- (i) Wireframe models
 - (ii) Surface models
 - (iii) Solids models
 - (iv) Mesh Models (4 marks)
- (b) List 3 advantages of 2D and 3D AutoCAD each (6 marks)
- (4a) Define orthographic projections itemizing the different types of views (5 marks)
- (b) List the advantages of freehand sketching in engineering drawing (5 marks)
- (5a) Define Freehand sketching listing the four different forms of freehand sketching (5 marks)
- (b) Explain the following terms in relation to AutoCAD:
- (i) World Coordinate System (WCS)
 - (ii) Mirror
 - (iii) Scale
 - (iv) Chamfer
 - (v) Explode
 - (vi) Extrude (5 marks)